

TECHNICAL DATA SHEET

Twin 9" JBT Dispenser



Product Code: R4000

- Universally dispenses any brand or quality of jumbo bath tissue
- Compact, contemporary and space saving design
- Designed to provide ease-of-use, easy paper access and multi-directional tearing in a hygienic delivery system
- New gentle gravity assisted Infinity System

Installation:

Wall mounted

Closure:

With lock

Color:

Black Pearl, Arctic Blue

Dimensions:

11.83" (H) x 19.29" (W) x 5.51" (D)

Capacity:

(2) 9" JBT rolls

Core Diameter:

3.25"

Case Weight:

3.55 lbs

Materials:

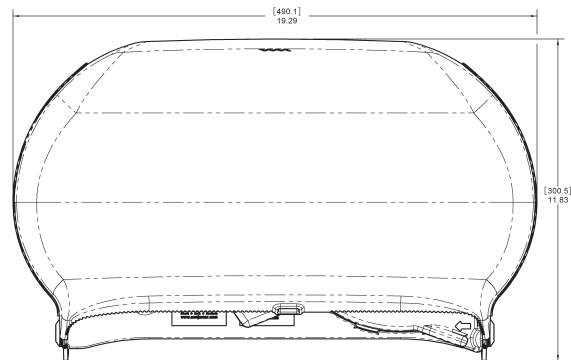
Base: break-resistant plastic

Cover: break-resistant plastic

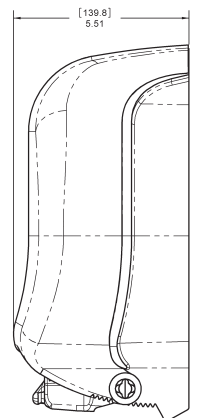
Standard Product Codes:

R4000TBK, R4000TBL

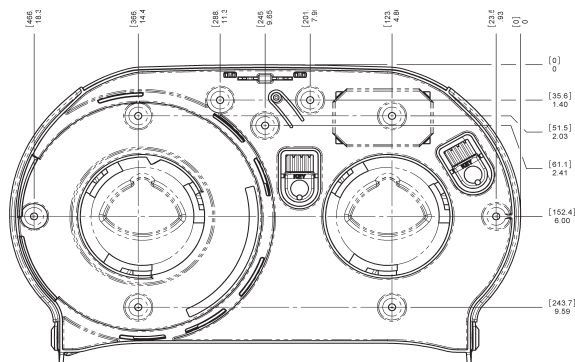
FRONT



SIDE



BACK



San Jamar

555 Koopman Lane
Elkhorn, Wisconsin 53121
USA
T: +1.262.723.6133
F: +1.262.723.4204
info@sanjamar.com
www.sanjamar.com

Canada

15252 32nd Avenue
Suite 309
Surrey, BC V3S 0R7
CANADA
T: +1.262.723.6133
F: +1.262.723.4204
canada@sanjamar.com

Europe

Schoorstraat 26a, bus 1
2220 Heist op-den Berg
BELGIUM
T: +32 15 22 81 40
F: +32 15 22 81 48
emea@sanjamar.com

México

Av. Paseo de la Reforma No. 350 - 10
Col. Juárez
Deleg. Cuauhtemoc, CP 06600
MEXICO, D.F.
T: +52 (55) 3626 0772
mexico@sanjamar.com



TECHNICAL DATA SHEET

Twin 9" JBT Dispenser



- Universally dispenses any brand or quality of jumbo bath tissue
- Compact, contemporary and space saving design
- Designed to provide ease-of-use, easy paper access and multi-directional tearing in a hygienic delivery system
- New gentle gravity assisted Infinity System

Installation:

Wall mounted

Closure:

With lock

Color:

Black Pearl, Arctic Blue

Dimensions:

300mm (H) x 490mm (W) x 140mm (D)

Capacity:

(2) 9" JBT rolls / (2) 400m rolls

Case Weight:

1.6 kgs

Materials:

Base: break-resistant plastic

Cover: break-resistant plastic

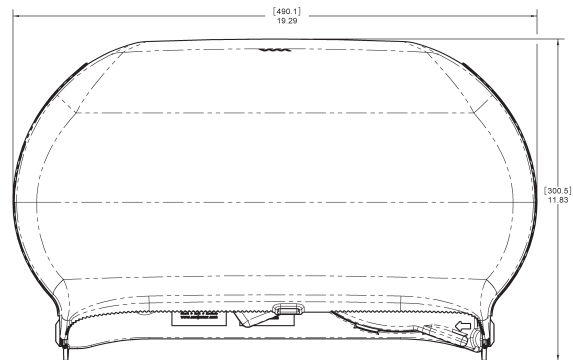
Standard Product Codes:

R4000: Minimum 82.5mm

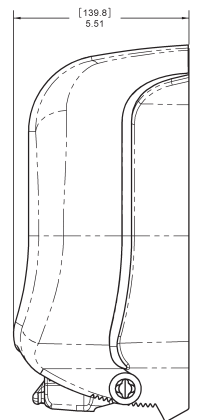
R4020: Minimum 57mm

R4040: Minimum 76mm

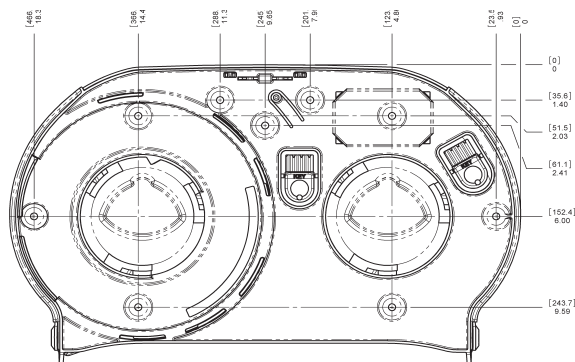
FRONT



SIDE



BACK



San Jamar

555 Koopman Lane
Elkhorn, Wisconsin 53121
USA
T: +1.262.723.6133
F: +1.262.723.4204
info@sanjamar.com
www.sanjamar.com

Canada

15252 32nd Avenue
Suite 309
Surrey, BC V3S 0R7
CANADA
T: +1.262.723.6133
F: +1.262.723.4204
canada@sanjamar.com

Europe

Schoorstraat 26a, bus 1
2220 Heist op-den Berg
BELGIUM
T: +32 15 22 81 40
F: +32 15 22 81 48
emea@sanjamar.com

México

Av. Paseo de la Reforma No. 350 - 10
Col. Juárez
Deleg. Cuauhtemoc, CP 06600
MEXICO, D.F.
T: +52 (55) 3626 0772
mexico@sanjamar.com

